

The lowest bottom track on the market.  
The best performance.



INDOOR USE

**The lowest bottom track  
for indoor spaces on the market.**  
Less than 1 cm!

**Two options available**  
The system can be sold in full length bars  
or pre-cut and manufactured

**Choose your desired glazing**  
The system allows three widths:  
8, 10 and 12 mm

**Bottom weight system with  
high quality bearings**  
Up to 90 kg load supported

**Excellent regulation capacity**  
Up to 20 mm in the top track  
and 5 mm in the bearings

**Glass assembly in seconds!**  
8 and 10 mm glasses can be even  
assembled on site

**Wide locking options**  
The widest variety of locks  
on the market

**Warranty**  
All products have 5 years  
warranty

Slide Mini is a new multitrack frameless system specifically designed for interior partitions. It's a bottom weight system.

Our system has the lowest bottom track for indoors on the market, less than 1 cm, which provides an easy obstacle-free passage between different spaces.

This system has been designed with the same aim that all our products have: **simple manufacturing and installing and maintenance free.**

In order to achieve this goal, Slide Mini has the least amount of components in the market, all of them of the highest quality, which assures a reliable long-lasting performance.

## Features

- **Glass.** Tempered or laminated. 8, 10 or 12 mm
- **The lowest bottom track for indoor spaces on the market (< 1 cm)**
- **Maximum panel height:** 3100 mm
- **Maximum panel width:** 1800 mm
- **Maximum panel weight:** 90 kg
- **Track number:** 3
- **Possibility of sunken installation**
- **Central and side opening**
- **Colours.** All options available from anodized, lacquered (RAL chart) and wood-like.

## Maximum dimensions

	Glass Thickness
	12 mm
Panel width	< 1800 mm
Panel height	< 3100 mm
Maximum panel size	3000 x1000 mm

	10 mm
Panel width	< 1800 mm
Panel width	< 3000 mm
Maximum panel size	3000 x1200 mm

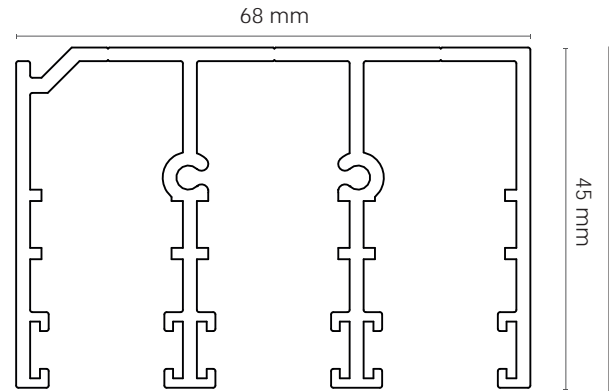
	8 mm
Panel width	< 1800 mm
Panel width	< 2400 mm
Maximum panel size	2400 x1800 mm

## Recommended installations

### Space dividers

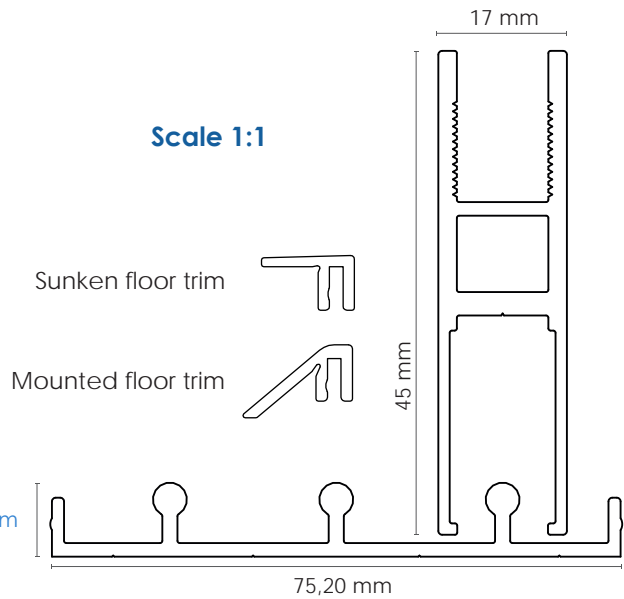
## Manufacturing and installing

- **Very simple machining.** No specialized equipment needed
- **Installation without gluing.** Just one day for 8 and 10 mm glass systems
- **No drill holes needed in the glass**
- **Top track clearance:** 20 mm
- **Bearings adjustment:** 5 mm



System section plans

Scale 1:1



Possible configurations

